



JSP ROOF INFRASTRUCTURE



Company Profile: JSP ROOFING GROUP is an organization set up by a group of young professionals with focus on developing Industrial world class Products Manufacturer of Self supported roofing system / Trussless Roofing System Trapezoidal Profile, clay tile sheets Turbo Ventilators

Business Profile: JSP Roof Infrastructure Over the year JSP ROOFING GROUP blossomed in to the front ranking manufacturer of top Self Supported Roofing / Trussless Roofing System, Galvalume, Galvanized Profile Clay Tile Roofing Sheet in India. Through our continues performance evaluation and up-gradation we are determined to stay ahead in the competitive world with pioneering spirit, clear vision of future and commitment to excel JSP ROOFING GROUP a long sheet product arm of JSP ROOFING GROUP, was set up at Pune.

The Company, JSP ROOFING, has earned respect and fame in the business of Roofing industry making during more then ten years on the back of visionary directors and highly skilled and dedicated team. JSP ROOFING Plant is fully integrated plant, having various manufacturing facilities of Trapezoidal, clay tile and decking sheets. We also deal in pencil profile, "Z" & "C" purlins, PEB structures, SDSS crews, Poly-carbonate sheets, FRP Sheets, Insulation products, turbine ventilators all types of roofing accessories.

Vision: Want to Color whole world by steel products. We aspire to be the global steel industry benchmark for Value Creation and Corporate Citizenship We aspire to be the most trusted and preferred domestic supplier of value added steel with world class quality of products and services.

Mission: Provide Quality Steel Products to customers by ensuring Customer Satisfaction through Continuous Improvement in Products. JSP ROOFING GROUP recognizes that while honesty and integrity are the essential ingredients of a strong and stable enterprise, profitability provides the main spark for economic activity. Overall, the Company seeks to scale the heights of excellence in all that it does in an atmosphere free from fear, and thereby reaffirms its faith in democratic values.

Our Services: • Self supported roofing system / Trussless Roofing System • Cold House / Industrial Sheds • Marriage Halls • Collage Workshop • Grain Godown • PEB (Pre-Engineering Building) • Parking Shed • Supply & Fixing of Roofing Profile/ Tile Sheets • Structural Consultants Fabrications Industrial Sky Light



Self Supported Roofing System (Trussless Roofing System)

It is a technology initially adapted by American Army, have a widespread demand in India for warehouse, manufacturing units, automobile services station etc. The sheets are produced and install at site without any support like trusses purlin or any other structural members.

Unobstructed 36 meters of clear spans

Our system is a stunning success when it comes to roofing for wider spans. - continuous roof of up to 36 meters at a stretch can be easily and very effectively covered with JSP Roofing Group. The technology derives this essence from it's formation that makes itself supported to sustain external load factors without any steel structure and intermediate columns.

Instant installation of 1000sq. Mtrs. In just 12hrs

Something which none other roof can yet achieve, we work with an incredible fabrication and installation speed of covering over 1000 sq mts. Of area in just 12 hours. This extraordinary operational speed proves to be an excellent application, especially in time bound construction projects where timely implementation holds critical importance.

On-site Panel Fabrication

Our technology enables on-site fabrication of panels, thus ensuring utmost flexibility in work along with superior workmanship and enhanced efficiency.

Features High rigidity:

The rock wool and pair of steel plates are glued together, making it's aggregate rigidity superior to hat of the composite board. Moreover, after the sandwich panel id fixed by connectors and Purlin, it's integral rigidity is improved.

Reasonable fastening method:

The rock wool roof panel adopts a buckle fastening design to avoid water leakage in the seam. This eliminates the need to use additional accessories.



JSP Roof Infrastructure



Advantages

- Supported structure without trusses, purlins or ancillary support
- Aesthetically appealing
- Unobstructed 15' to 120' feet of clear spans
- 100% leak proof
- Zero maintenance
- Faster project turn around
- Value for money
- Free from holes, nuts, bolts overlaps
- No bird nuisance
- Instant installations of 10,000 sq feet in just 12 hours .
- On site fabrication installation
- Larger enclosed volumes
- Cooler temperature
- Dedicated after sales support
- Registant to damage & corrosion

Material Technical Specification

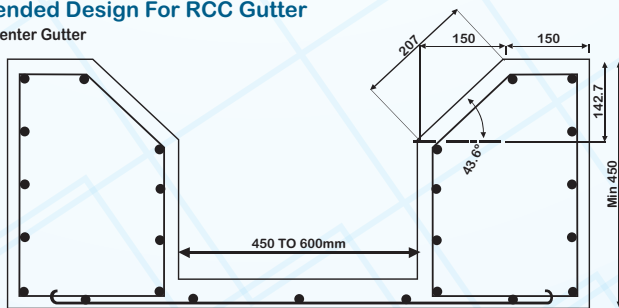
Base Metal	Product / Material	Coating Grade	Color Coating	Yield Strength	Thickness	Coil Width	Effective width	Crest Height
High Grade Steel	Pre-painted Alu-zinc steel sheets Az150. (Galvalume base-An alloy of 55% aluminiums and 43%zinc)	Az150	RMP, Polyester, S.T.M., H.D.P. Coatings	ASTM, A792 D (Yield Strength 300-350mpa)	0.8-1.6mm TCT (Total Metal Thickness)	914 mm	610 mm	169 mm



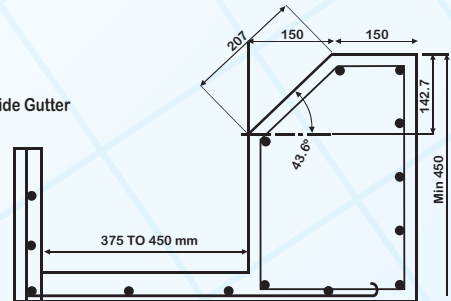


Recommended Design For RCC Gutter

Center Gutter

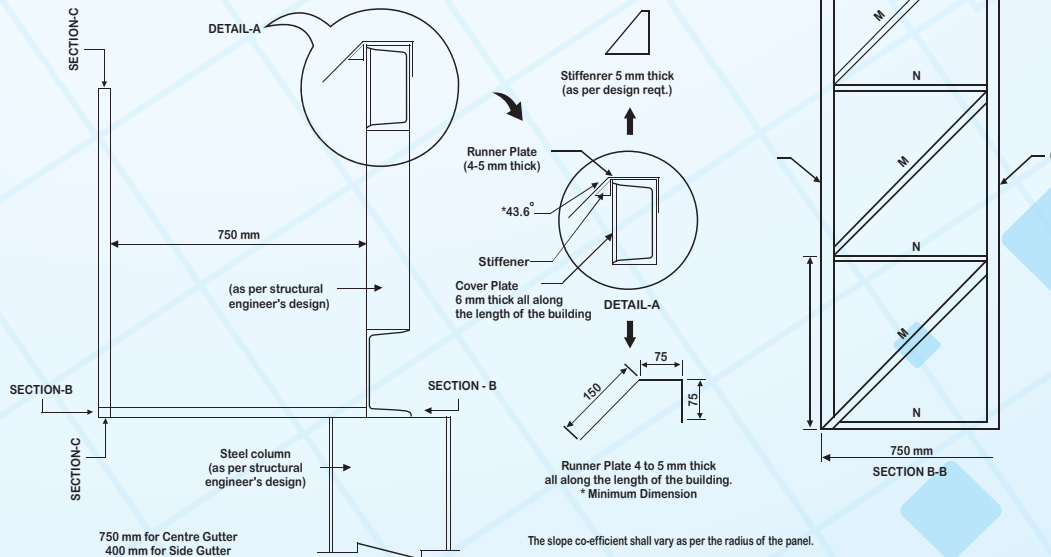


Side Gutter



The slope co-efficient shall vary as per the radius of the panel.

Recommended Design For MS Gutter





Installation Process



Coil Loading



Panel Fabrication



Panel Seaming



Installation



Accessories



Turbo Ventilators



Skylights



Hangers



Roof



Kinds of Projects



Ground to Ground Roof



Commercial Building



Trussless Roofing System



Multiple bays / Different Height Roof



Arch Roof



RCC Wear House



Industrial Sheed



Pathway Self Supported Roof







JAIPRAKASH
POWER VENTURES LIMITED



Corporate Office :Swami Darshan Appt. Office No. 13, Swarajnagri, Wadgaon Road, Talegaon Dabhade, Tal. Maval, Dist. Pune - 410507.

Contact : +91 7722010135, +91 7721015432

Email : sales@jsproofinggroup.com : jsproofinggroup@gmail.com
: jagan.k@jspgroup.org

Website : www.jsproofinggroup.com